

Super Pump[®] Pro

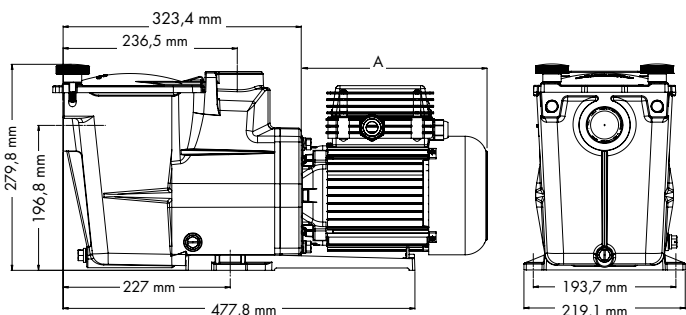
EXPERT LINE



PROVEN RELIABILITY, ESPECIALLY IMAGINED FOR PROFESSIONALS

- **Heavy duty, high performance** motor for quieter operation
- Extended-life Viton[®] pump seal for improved **resistance against chemicals**
- **Easy maintenance:** large basket and exclusive swing-away hand knobs - no tools required
- **Slip union kit included** (all) and threaded adaptor 2" to 1.5" (included up to 1 HP)
- **Direct replacement of former Super Pump[®]** without any installation modification
- Recommended for pools **up to 120 m³***

* Calculation based on 6 hours turnover



Technical Specifications

Max. water temp.	35°C
Adapter	2" / 50 mm (1/2-1HP) - 2" 63 mm (1,5 -2HP)
Mechanical seal	AISI 304 Viton [®] , suitable for salt water
Motor specifications	Class F, IP55, 50Hz, 2 Poles
Housing/impeller/strainer/lid	PP+GF/Noryl [®] + GF/ABS/PC



Union kit included
2" / 50 mm (1/2-1HP)
2" / 63 mm (1,5-2HP)



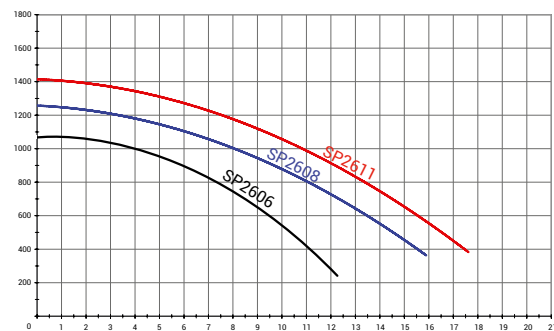
See-through strainer cover



Threaded adaptor

• **Unions 50 mm**

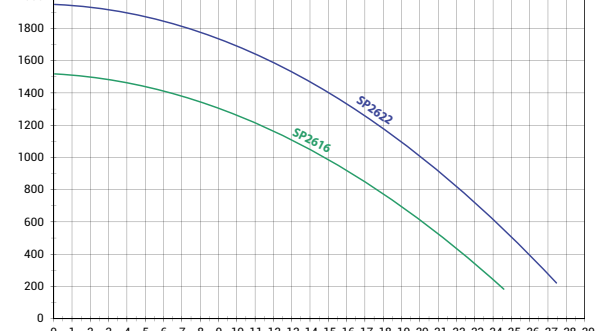
Pressure (mbar)



Flow rate (m³/h)

• **Unions 63 mm**

Pressure (mbar)



Flow rate (m³/h)

SINGLE PHASE SUPER PUMP[®] PRO

Type	Dim. A	Weight	I/O	Flow rate*	Unions	Input Power P1	Output Power P2	Amperage	Item
1/2 HP	183 mm	14 kg	2" /1.5"	7.5 m ³ /h	2"/50 mm	870 W	550 W	3.6 A	SP2606XY81
3/4 HP	183 mm	14 kg	2" /1.5"	11 m ³ /h	2"/50 mm	870 W	550 W	3.6 A	SP2608XY111
1 HP	213 mm	15 kg	2" /1.5"	13.5 m ³ /h	2"/50 mm	975 W	720 W	4.3 A	SP2611XY161
1.5 HP	213 mm	15 kg	2"	18 m ³ /h	2"/63 mm	1100 W	790 W	5 A	SP2616XY221
2 HP	232 mm	16 kg	2"	22 m ³ /h	2"/63 mm	1500 W	1115 W	7.25 A	SP2622XY251

THREE PHASE SUPER PUMP[®] PRO

1 HP	213 mm	14 kg	2" /1.5"	13.5 m ³ /h	2"/50 mm	900 W	750 W	2.8/1.6 A	SP2611XY163	IE3 ✓
1.5 HP	213 mm	14 kg	2"	18 m ³ /h	2"/63 mm	900 W	750 W	2.8/1.6 A	SP2616XY223	IE3 ✓
2 HP	232 mm	16 kg	2"	22 m ³ /h	2"/63 mm	1 330 W	1 100 W	4/2.3 A	SP2622XY253	IE3 ✓

* under 8 m water column pressure